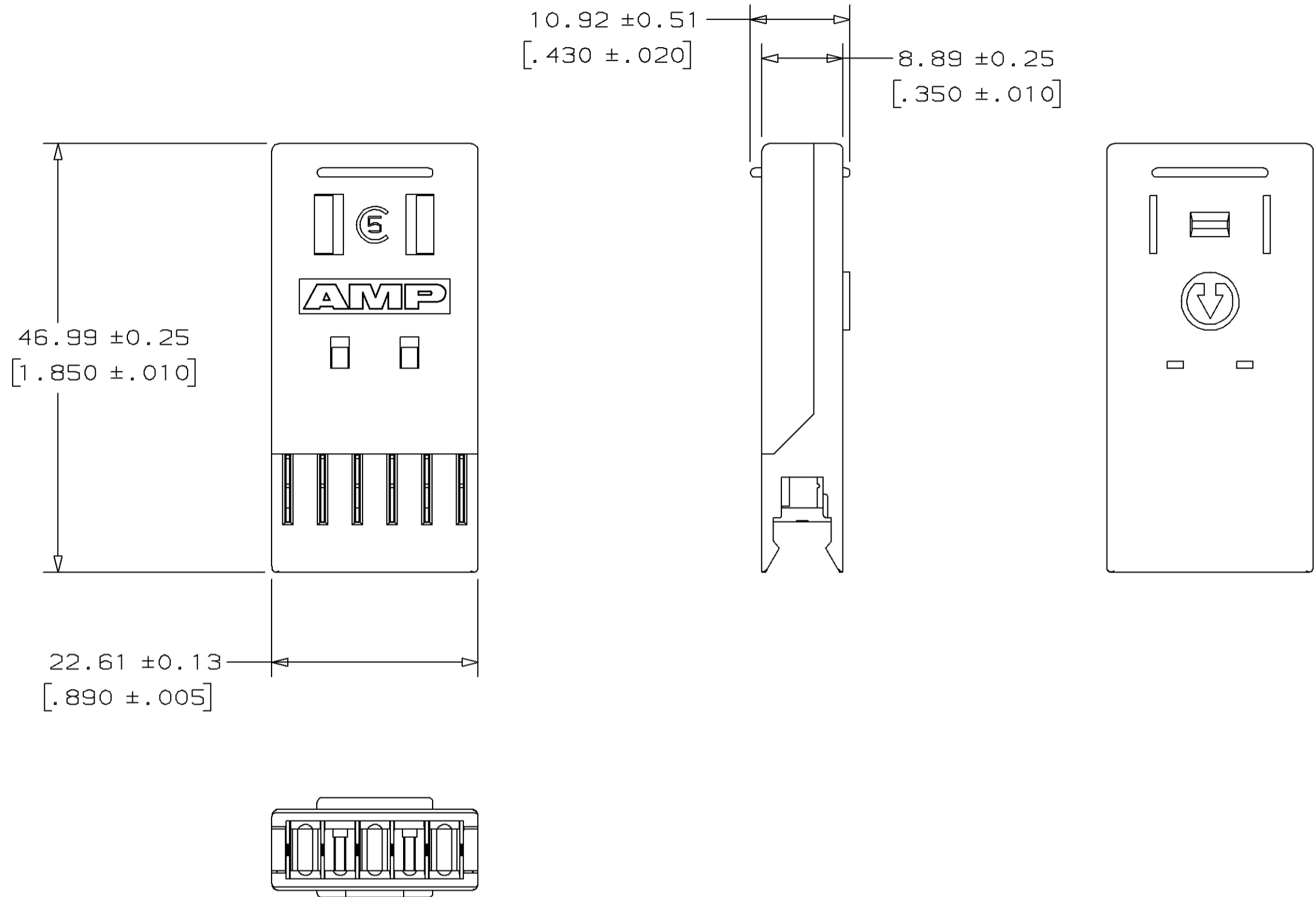


THIS DRAWING IS UNPUBLISHED. RELEASED FOR PUBLICATION
 BY AMP INCORPORATED. ALL RIGHTS RESERVED.

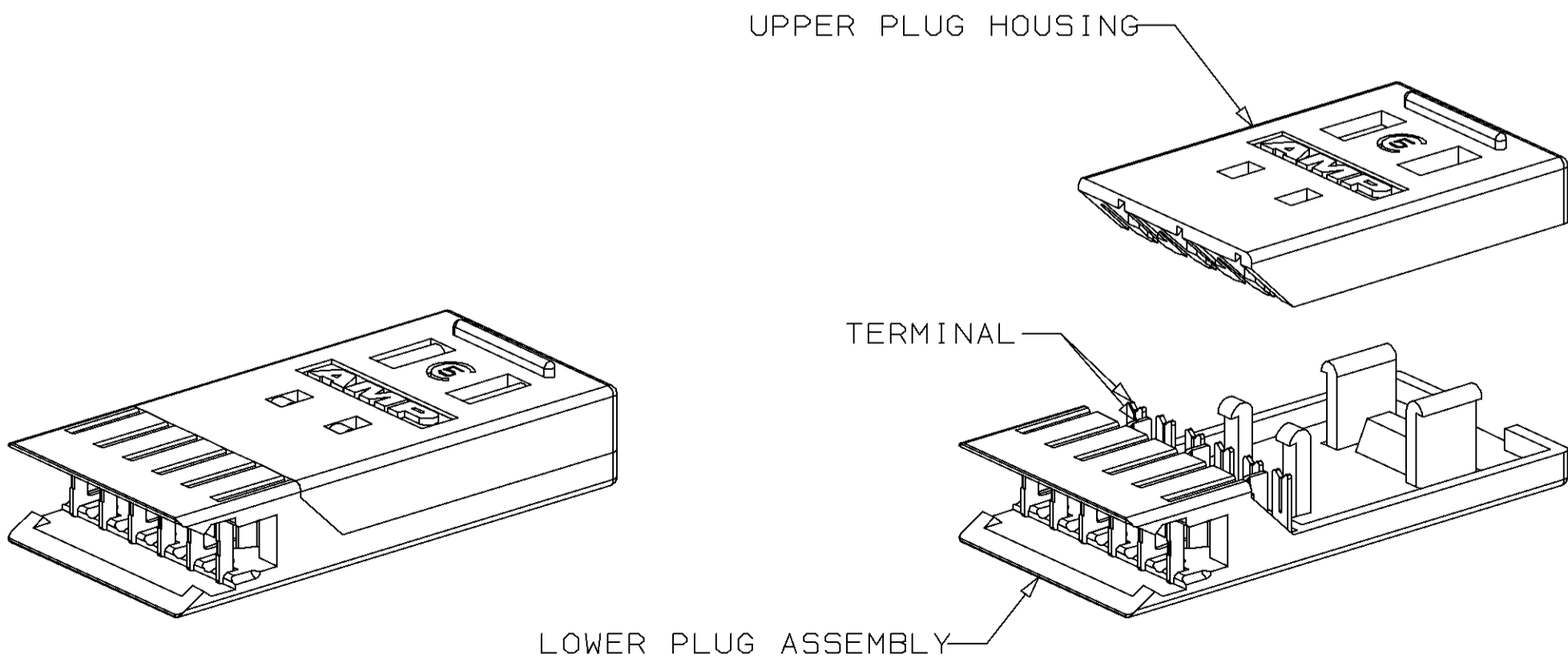
LOC		DIST		REVISIONS			
P	LTR	DESCRIPTION		DATE	DWN	APVD	
AA	28	B		ADD: 2/1; NPR C97-193, EC 0502-0611-97	16SEP97	WS	JB



- 1 MATERIAL:
 HOUSING-POLYCARBONATE, IVORY, UL 94V-0.
 TERMINALS- 0.41 [.016] THICK PHOSPHOR BRONZE
 PLATED WITH 0.00381 [.000150] MINIMUM THICK
 BRIGHT TIN-LEAD OVER 0.00127-0.00330
 [.000050-.000130] THICK NICKEL UNDERPLATE.
2. EDIT KIT SHIPPED NOT ASSEMBLY.
- 3 SEE RESTRICTED CUSTOMER DRAWING 2-569479-1.

WAS 95-2238-25 REV 0; 569479 REV 4

569479



-	3
W/O AMP LOGO	1-569479-1
WITH AMP LOGO	569479-1
DESCRIPTION	PART NO

THIS DRAWING IS A CONTROLLED DOCUMENT.		DWN K. BARKER 08/03/95	AMP Incorporated Harrisburg, PA 17105-3608
DIMENSIONS: mm (INCHES)		CHK D. AHERON 11/02/95	
TOLERANCES UNLESS OTHERWISE SPECIFIED:		APVD G. REED 11/02/95	NAME PLUG KIT, 3 PAIR, 110 PATCHCORD
0 PLC ±-		PRODUCT SPEC	
1 PLC ±-		APPLICATION SPEC	SIZE A2
2 PLC ±-		WEIGHT	CAGE CODE 00779
3 PLC ±-		CUSTOMER DRAWING	DRAWING NO 569479
4 PLC ±-			SCALE 2:1
ANGLES ±-			SHEET 1 OF 1
FINISH			REV B